

HUD-SON

FOREST EQUIPMENT

FOR THE WORK YOU DO.



OSCAR 121 & OSCAR 328 SAWMILL OWNERS MANUAL
800.765.SAWS • WWW.HUD-SON.COM



A N O T E F R O M H U D - S O N

Thank you for your purchase of a sawmill from Hud-Son Forest Equipment. We are pleased that you chose us as your supplier of your forestry equipment.

Hud-Son Forest Equipment has been in the forestry business since 1965 and prides itself on developing new and innovative products for the forestry business. Our product line is always transforming so please check us out on the web at www.hud-son.com for the up and coming developments we are making.

Should you have any questions with the setup of your mill or have any technical questions please feel free to contact our onsite technician Monday - Friday, 8 to 4:30 and Saturdays from 8 to noon eastern time at 800-765-7297. We are always available to our customers for any questions or concerns they may have about their equipment.

C O N T E N T S

2A note from Hud-Son
3Introduction
4Safety
7Set Up
7Welded Track Assembly
9Transport
15Care & Maintenance
18Parts & Warranty
22Trouble Shooting
24Parts List
26Sawmill Drawings

INTRODUCTION

Purchaser Agreement

By accepting the delivery of your sawmill by Hud-Son Forest Equipment you agree that you will not modify your mill from it's original assembly. This will VOID any warranty from Hud-Son Forest Equipment.

Please fill out the information for quick reference:

Dealer: _____
Phone Number: _____
Address: _____

Purchase Date: _____
Model: _____
Serial Number: _____

This manual is filled with the latest information and specifications at the time of publication. We have the right to make changes as they are needed. Any of the changes in our product may cause a variation between the illustrations and explanations in the manual and the item that you have purchased.

DISPUTES

All disputes, claims and causes of action arising out of the delivery, use, or warranty claims for personal injury and or property damage must:

1. Claimant must provide a written notice of the claim or dispute to the company (at the address below) at least 30 days after the claim arose prior to commencement of any action;

2. Company has 60 days to make a decision on the claim and will provide a written response to claimant;

3. No action may be commenced until after the company has provided its decision on the claim;

4. All claims against the company for any cause related to delivery, design defects,

repairs, use of the equipment or warranty shall be filed in Supreme Court, Oneida County, State of New York. The parties may file for Arbitration in Oneida County New York after consent by both parties.

5. Construction and interpretation of this agreement and any and all claims shall be subject to the Laws of the State of New York.

6: The address for submission of claims is:

Hud-Son Forest Equipment
PO Box 345
8201 State Route 12
Barneveld, NY 13304

7. Notices under this agreement must be in writing and sent by certified or registered mail.

Safety Guidelines

The reason for the safety section is to inform the operators and maintenance personnel, the precautions that should be taken while operating or servicing the Hud-Son Mills. Please use good judgement and keep safety in mind when operating Hud-Son machinery. Please read and follow ALL the instructions in this manual before operating the Hud-Son Mill safely at all times. These instructions were produced for your benefit. Your ability to understand and follow the instructions is essential for the safe operation of this product. Always call your servicing dealer if you are in doubt before operation of any kind.

General Safety Procedures

1 - Always wear safety glasses, ear protection, and gloves while operating or servicing the machine.



2 - Keep all body parts and foreign objects away from all moving parts. Do not reach into the machine while it is still operating. (Be Sure The Machine Is **OFF**.)

3 - Do not attempt to override any safety features on the machine.

4 - Inspect the machine before every use for wear, damage, and that it's functioning correctly. If the machine has been damaged or is not running correctly, DO NOT attempt to operate the machine. Repair or replace all parts when necessary.

5 - Do not wear loose clothing or jewelry while operating or servicing the machine.

6 - All replacement parts should be of the same specifications as the original parts on your Hud-Son machine.

7 - **All guards and covers must be in place before operating the machine.**

8 - Before starting the machine be sure that it is set up properly.

9 - **DO NOT** operate or service any machinery while under the influence of drugs or alcohol, while tired or if you are unable to control your movements.

10 - All worn or damaged decals should be replaced.

11 - Any modifications to the machine requires written approval from Hud-Son Forest Equipment.

12 - The sawmill should only be used when it is on level stable ground.

The safety rules are made for the benefit of the persons operating and servicing the machine, to prevent injury to oneself or others. Please review all setup and operating procedures before attempting to run the machine, whether covered in this manual or not, to ensure the safest operation of this product.

CAUTION BEFORE, DURING AND AFTER OPERATION



Check the engine compartment for sawdust and wood trash build up in and around the engine compartment and the exhaust area to prevent any possible fires from starting due to excessive build up. Always clean the sawdust out from under the machine after shut down and be sure there is no sawdust build up near or around the muffler area.

Hud-Son Forest Equipment is not liable for damage to property or personal injury due to the failure of any person and/or operator to follow the instructions and recommendations set forth in this manual or any other instructions or recommendations contained in other literature issued by other vendor manuals in the owner's kit.

Product Safety Decals

The decals below are used on the Hud-Son Saw Mills to identify warnings and prohibited actions. It is very important that you understand the meaning of the decals for your safety and the safety of others. Decals are to be replaced if worn or illegible.

<p>CAUTION - Be EXTRA careful around these areas, unsafe practices may cause personnel injury or damage.</p> <p>DANGER - Be careful around any rotating parts, they may cause personnel injury or damage.</p> <p>DANGER - Be sure to be very cautious and alert, these areas may cause personnel injury or damage.</p> <p>CAUTION - Operating equipment without guards may cause personnel injury or damage.</p>	<p>BLADE LUBE TANK - Be sure to use the correct lubrication, if incorrect lube is used it may cause personnel injury or damage.</p> <p>NOTICE - Please remember to send in warranty card and information.</p> <p>CAUTION - All debris need to be removed from machine before transporting, failure to do so may cause personnel injury or damage.</p> <p>CAUTION FIRE HAZARD - Keep all sawdust away from motor.</p>
--	--



Receiving and Unit Inspection

1 - Upon receiving your unit do a walk around and visual inspection of the unit. Make note of any damage and contact us immediately with any issue you may have. Note: All equipment is assembled, tested and inspected before shipping. Damage can occur during transit, which could cause the unit to not operate correctly.

Unpacking Unit

- 1 - Flat bed trailer delivery: remove straps or chains securing the unit.
- 2 - Remove lag screws and strapping that secures the machine to the skid.

Moving the Unit

(Forklift is needed for track units)

- 1 - Machine needs to be lifted at the lift point, see picture for points.
 - a. Use a safety devise for lifting to avoid any damage/injury.
- 2 - Move unit to operator's site, lower unit and remove unit from forks.



Before operating the Hud-Son Saw Mill the following procedures need to be performed:

- 1 - Check oil and fuel levels
- 2 - Check blade lubrication and hydraulic levels (if applicable)

DO NOT USE: petroleum products, petroleum based products, flammable products, a vegetable oil based product. The above products mixed with water or straight will cause damage to your mill. The fluid will be slippery between the blade and wheel belting causing blade to come off.

DO USE: In The Summer Months tap water. If there is a problem with pitch build up on the blade, add 1 oz. of dish soap or pine sol to 1 gallon of tap water. This will help keep the blade clean and less heat.

In the Winter Months water will freeze in the lube tank. Use regular windshield washer fluid (usually blue in color) If there

is a pitch build up problem add the 1 oz. of dish soap or pinesol.

Adjustment: Before starting the engine, adjust the flow of lube to the blade by adjusting the flow shut off valve so there is a constant drip. If more lube is necessary, continue to adjust the valve until the desired flow is acquired.

- 3 - Be sure the blade is sharp and tight
- 4 - Be sure all levers and switches are in the neutral/center position before starting the engine (if applicable)
- 5 - Be sure all persons are clear of the equipment
- 6 - Make sure the unit is level and stable.

Start Engine Procedure

- 1 - Summer Use: Be sure to let the unit idle for at least 5 minutes before any use.
- 2 - Winter Use: Be sure to let the unit idle for at least 15 minutes before any use.
- 3 - If the unit has been sitting for a period of time, allow the unit to run long enough to have the oil do a complete circulation before use.

Steps for Setting-Up the Hud-Son Saw Mill

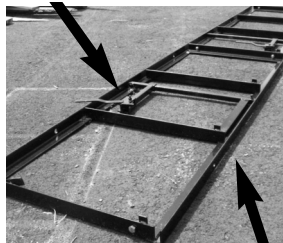
A. Machine Set-Up (ground track unit)

- a) For best results and easier set-up, the mill location should be level and free of obstructions.
- b) A level cement pad is the best option, but square timbers also work well. You will need to support the track at each joint and under each cross member.
- c) You will need to be sure that the mill is level from front to back and side to side. The better the mill is supported the better the mill work.
- d) There should be a 4 ft. clear work area around the entire mill.

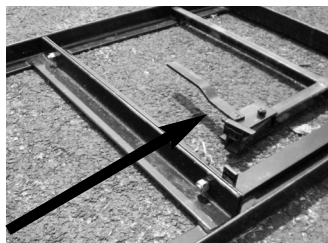
B. Welded Track Assembly

- a) Dogs needs to facing in the same direction, the moveable dogs need to be on the same side of the track which is on the operator's side of the mill head.
- b) There are additional holes in the track so that the dogs can be moved to different positions.
- c) The tracks are bolted together using bolt and nuts. The Oscar 18 and 228 mills will have 2 bolt/nuts: the Oscar 230/236 and 52 mills will have 3 bolts/nuts. Line up the tracks so that the center holes align. Using the provided bolts put them through the holes and finger tighten the nuts. Adjust the track height so that the 2 pieces of track meet flush and level. Work one side then the other, once level has been achieved, check the track to see if it aligns vertically. If the track is not aligned correctly use a hammer to tap it into position. Do not tap on vertical rail. Once this is accomplished tighten the bolts securely.

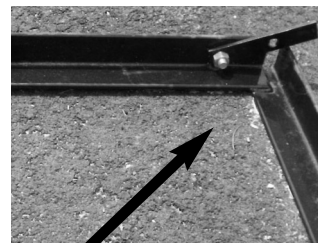
Moveable dogs on one side



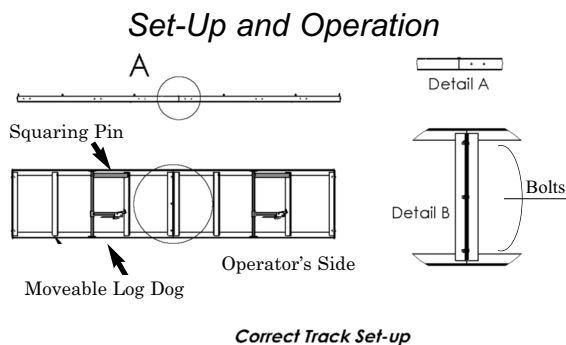
Track on level ground, free of obstructions



Bolted together Track Flush & Level

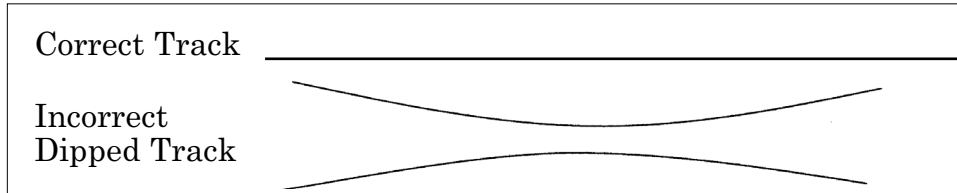


Track Stops



- d) The track comes with four track stop tabs. They consist of the track stop tab bolt and nut. Place the tracks stops in the four end corners of on the inside of the track. Place them on the inside of the track secure them into place with the bolt and nut. The track stop tabs are placed at an angle over the track to prevent any further travel of the mill head.

e) To saw a board accurately, the track needs to be straight and flat. To obtain this, use a string tied tight from end to end or a level. If the track/trailer has a crown or dip, you will not be able to saw a straight board.



C. Machine Set-Up (trailer unit) 20' or 24' Torsion Axle Trailers, (230, 236, 56, Farm Boss, H360))

- a) Set-up area should be relatively level and clear of debris. The head will need to roll down the track so be sure the area is free of obstructions.
 - b) Lower the trailer jack and raise the jack until the coupler is free of the hitch. Once this is done remove the unit from the vehicle. Using the "T" handles, loosen the bolts and lower the front 2 legs.
 - c) Do the same to lower back 2 legs, and level the trailer.
 - d) Lower the center 2 legs last, the track should already be level.
 - e) On the 121/328 models, you will need to unbolt the head from the track. The travel bolts are located behind your guide arms at the base of the mill head.
 - f) Once the head is unbolted from travel position, roll it down the track to be sure it is level. If your head rolls on its own you will need to adjust your leveling legs. Return the head to the center of the trailer and re-bolt or raise the center legs to lock head into place. Once the head is secure you can reset the leveling legs.
- **Always secure the head before re-leveling the trailer****
- g) Once the trailer is level, the head should not roll on its own. If your trailer is not level, it will not saw your boards correctly. Refer to previous instructions for proper set-up.



Correct trailer set up. All legs are level; head should not move on its own.

Legs are locked into place, head will not move.

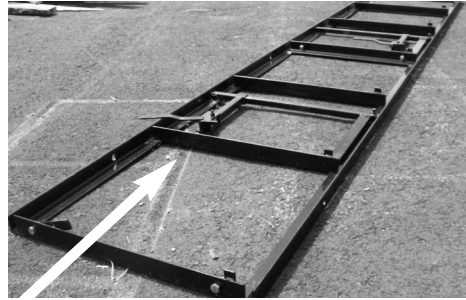
D. Setting Head on Track (If Applicable) Ground Models
Once your track is level, you are ready to set the head on the track. Once again, be sure the area is still free and clear of obstructions. You will want the head to roll freely down the track.

- a) Install the head with operator's side on the same side as the moveable dog. The discharge side is the side with the squaring pins.
- b) Raise the head 3 inches and roll from one end to the other. The head should roll smoothly along the track. If the head "thumps" when it passes over the track joint, check to make sure

the tracks are level. Re-level the track and try rolling the head again. Also be sure to watch the track as you roll the head, if the track moves, you will need to support the track in that area.



Correct head placement; Operators side is on side with the scale stick.



Squaring arm on right, adjustable dog on left.

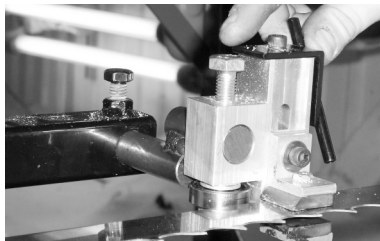
ALWAYS WEAR GLOVES AND EYE PROTECTION WHEN OPERATING SAWMILL

c) Set the guide bracket so that the back bearing is on the same plane as the blade, so that if the blade were to wander back it would hit the back bearing evenly across the middle of the roller. If the bearing needs to be adjusted up or down, loosen the bolt that holds it to the guide bracket and space it in either direction using the washers that are on either side of the bearing.

d) Once the bearing is set, position the guide bracket so that the bearing is spaced 1/8" behind the back of the blade. Once the bearing is in position, tighten the bolt on the top of the guide bracket into place. Be sure guide is 90° to the blade.

e) The guide shoes are to be set using a sheet of paper to gauge the spacing. Place the paper between the shoe and the blade, slide the shoe so that it is pinching the paper, and tighten the bolt so that the shoe is set in place. Do the same on the bottom of the blade. Note that you do not want the shoes to be pinching the blade so hard that they are prohibiting blade travel.

f) Make sure that all nuts and bolts are tightened firmly.



*Pictured is a close-up of the guide
It shows all the bolts and bearings that
can possibly be adjusted. Note how the
teeth are outside of the guide.*

Transport Instructions

Follow all the steps to safely transport the Hud-Son Saw Mill Trailer Model

- 1 - Lock head into travel position.
- 2 - Raise extension legs and lock in upright positions.
- 3 - Raise rear legs of frame and pin in raised position.
- 4 - Raise jack to desired height, remove pin and

- rotate to horizontal position, hook hitch to vehicle. Plug in lights and brakes. Hook-up safety chains and break-away switch. (If applicable)
- 5 - Lift front legs and lock in transport position.
- 6 - Be sure to clean unit of all loose debris, including all bark, sawdust and dirt.

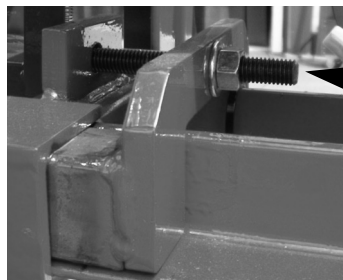
Set-Up and Operation

E. Tensioning the Blade on all Models

NEVER tension your blade with the engine running. Your mill is shipped to you without any tension on the blade. If there is tension left on the blade for a period of time, it can cause flat spots in the belt.

This will cause the blade to fall off the wheel. Always remember to de-tension your blade when you are done sawing for the day.

- a) a) To tension or loosen the blade, see figure below.
- b) Turn the adjusting bolt or stud, clockwise until 30-35 pounds of torque is achieved. The recommended tool for this is a torque wrench. By hand, rotate blade 3-4 full revolutions; this centers the blade on the wheels.
- c) With gloves on, pull up on the blade at the center guard. Allow for no more than a 1/4" movement up or down on the blade.
- d) Blade guides must not be so tight they cause the blade to heat up. If this occurs re-adjust guides.
- e) Perform a simple test call the "Flutter" test. Put the guards on and then run the engine at full RPM's (be sure the blade is not in a cut during this test) and watch the blade under the blade guard. The blade must run straight, if it does not, shut the engine down and apply more tension. Keep in mind that over tensioning will also cause the blade to flutter. You should have attained proper tension around 30-35 pounds.
- f) A tensioned blade should come off the bottom of the band wheel and run straight across to the other band wheel, so there is NO sag in the blade between the two wheels.



***Tension nut for
smaller units
(121/328)***

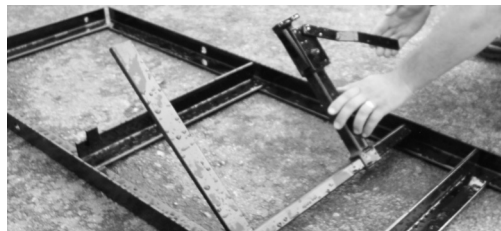
F Setting Logs

Once the track is set, the head is in place and the blade is tensioned correctly, you are almost ready to cut.

- a) Place the log determined by the mills size, on the center of the track. Using the log dogs secure the log to the track. Be sure to dog the log high enough (1/2" way up the log) to ensure the log does not move. If the log is too big for the log dog to hold in place, but your sawmill head still rolls unobstructed use the "Cheater" to hold it. (For use on the 121/328 only).



Cheater

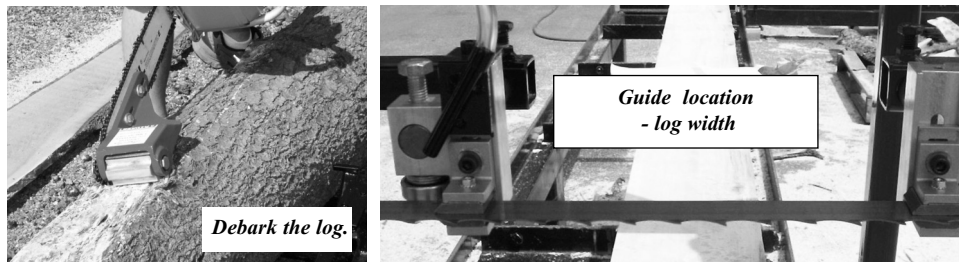


Squaring Arm and Adjustable Dog

G Getting Ready to Cut

Now is the time to debark or clean your log. This can be achieved by the simple chain-saw attachment, called a Log Debarker (available through Hud-Son Forest Equipment Inc.) or you can pressure wash or use whatever method available to remove any mud or bark from the logs. By debarking and cleaning your log it will extend the life of your blade.

a) Adjust the Hud-Son guides so that they are slightly (no more than 2 inches) wider than the maximum width of the log.



(Note: as you cut slabs, boards or squares you may need to adjust the guide to ensure the best performance and quality cuts)

b) Find the top of the log with the blade. Remember, that you may have cheaters in place so be sure these are clear when making the first cut. You will be removing the top portion of the log. (top slab)

c) On the manual lift models, crank your head down to the desired height and click up one notch to set the head. Make sure your blade will clear your dog assembly.

d) Start your engine, let it idle for at least 5 minutes. (Refer to the engine manual for proper engine maintenance)

e) With the engine in idle position, increase the throttle to start the blade. Sawing should always be done with the engine in full throttle.

f) Gently push the saw head through the log, pushing on the head frame. If the engine starts to labor, you are going too fast, slow down. Go slow through burls and knots as the engine may bog down through these parts of a log.

g) When you are at the end of the log, power down the engine, crank the head up so that it will clear the log and roll back to the front of the log. For ease of operation, put the slabs on the operator's side of the mill, this way you will not have to dig through sawdust for your lumber.

h) You now have a flat surface on top of your log, remove the cheaters (if applicable), you will no longer need them, as long as the log dogs will hold the log in place.

i) Set your log dog assembly so that they are standing in the track. Turn the cut side of the log, using a cant hook, $\frac{1}{4}$ of a turn. The flat side must be flush against the squaring pin to assure a square cant.

j) Adjust the log dog at an angle to the track so that the blade can pass over the top, but so that the dogs are effective in securing the log.

k) Once again, increase the engine throttle to start the blade, and saw another slab. You will repeat step (I) until your log is squared into a cant. You may now saw your dimensional lumber.

l) Steps (I-K) may not be applicable if a cant is not desired.



Place flat side, flush against squaring pin to ensure a square cant.



Adjustable dog, set at an angle so that log can be sawed without interference.

H. Cutting Dimensional Lumber

You can cut down to a 1" thick bottom board. To achieve this you will use the moveable side of the dog and the short squaring pins welded in the track.

a) You will need to determine the size lumber that can be cut and how many, then using the scale start sawing your lumber. Lower the blade to desired thickness and saw your board. Repeat this process until all lumber is cut.

b) You may need to turn your cant to make the desired lumber.

I. Replacing the Blade

No matter how well you care for your blade, they will dull after time and need to be changed. Longevity of your blade depends on how well you maintain it.

a) The engine needs to be stopped, turned off and the key removed, this ensures that the engine can not be accidentally turned back on. On engines with manual start, you will need to remove the spark plug wire prior to servicing. On electric motors a lockout/tagout should be used.

b) Loosen and remove wing nuts so you can remove the outside and center guards on all models.

c) Loosen band blade tensioner bolt until adjusting bolt is flush with threaded plate.

d) With a gloved hand, put hand on the top of the band blade and push down. (Use extreme CAUTION, dull blades are still sharp and may be hot).

e) Remove band blade from both band wheels and take out of carriage.

f) Inspect new or sharpened blade, be sure blade teeth are facing in correct direction. Teeth should always point away from the operator. (Towards discharge chute). Be sure to wipe blade clean of all oily substance prior to installing. A clean, dry rag or cloth works best.

g) Starting from your stationary wheel set the blade on the wheel then thread through your guides. Work the blade over the tensioning wheel until the blade is set.

h) Lightly tension the blade to remove the slack, and then turn the wheel in the direction of travel (towards the operator) 3-4 rotations to be sure the blade is tracking properly on the wheel.

i) Once the new blade is tracking properly, replace the guards and re-tension the blade as previously stated.

J. End of Processing Lumber

- a) Completely decrease engine throttle and turn engine switch, red one, to off position, or if equipped with fuel shut off turn that to the off position.
- b) The blade will continue to turn automatically and will coast to a stop.
- c) If you are done sawing for the day, de-tension the blade, so that you do not have flat spots. Lower the mill head so that the lift cable has slack.

K. Blade Maintenance

Longevity of band blades depends on how well they are cared for. Using a lube tank, Log Debarker, band blade sharpener, tooth setter, all will help keep your blade in top condition. Be sure to clean your logs by using a pressure washer or debarker to keep them free of mud and debris. Refer to 2A on page 6

L. Blade suggestions

- a) Never force a dull blade, this will result in overheating of the blade and result in wavy lumber.
- b) Overuse of a blade jeopardizes the ability of the saw blade to be re-sharpened.
- c) A new blade may stretch after cutting and may have to be re-tensioned to assure quality lumber.
- d) De-tension the band blade after each day of cutting.
- e) Never operate the mill without the guards in place.

The Hud-Son Forest Equipment, Inc sawmill comes with a band blade and we have an excellent re-sharpening program for your band blade.

M. Adjusting Sawmill Guides

- a) Purpose of the Guides
 - Superior Hud-Son guide design. Supports on the top, bottom and back of the blade, where can the blade go? This guide design limits the chance of blade wander.
 - The lower blade holds the blade up and decreases the chance of "diving". Most companies only use a top support.
 - The closer to the log the guides are to the log the better support the blade has as it cuts.
- b) Adjusting the guides
 - Tools that will be needed:
 - 1) 17 mm wrench
 - 2) 17 mm socket
 - 3) 9/16" wrench

4) 3/16" Allen wrench

- All guides are aligned and set at the factory, but occasionally they get moved out of adjustment in shipping or after a period of usage. It is important that they be checked often for proper alignment and adjusted correctly.

- To adjust your guides correctly you must first tension the blade properly as previously described. A tensioned blade should come off the bottom of the band wheel and run straight across to the other, so there is NO sag between the two wheels.

c) Now that the blade is tight, slightly loosen the Allen head that holds the guide shoes, so that they slide up and down freely. Now loosen the bolt that fastens the aluminum guide bracket to the guide rod, so that the guide bracket can be moved in, out and it can be rotated in either direction.

d) Set the guide bracket so that the back bearing is on the same plane as the blade, so that if the blade were to wander back it would hit the back bearing evenly across the middle of the roller. If the bearing needs to be adjusted up or down, loosen the bolt that holds it to the guide bracket and space it in either direction using the washers that are on either side of the bearings.

e) Once the bearing is set, position the guide bracket so that the bearing is 1/8" behind the back of the blade. Once the bearing is in position, tighten the bolt on top of the guide bracket in to place. Be sure the guide is 90° to the blade.

f.) The guide shoes are to be set using a sheet of paper to gauge the spacing. Place the paper between the shoe and the blade, slide the shoe so that it is pitching the paper and tighten the bolt so that the shoe is set in place. Do the same on the bottom of the blade. Note that you do not want the shoe to be pitching the blade so hard that it is prohibiting blade travel

g) Make sure that all nuts and bolts are tightened firmly.

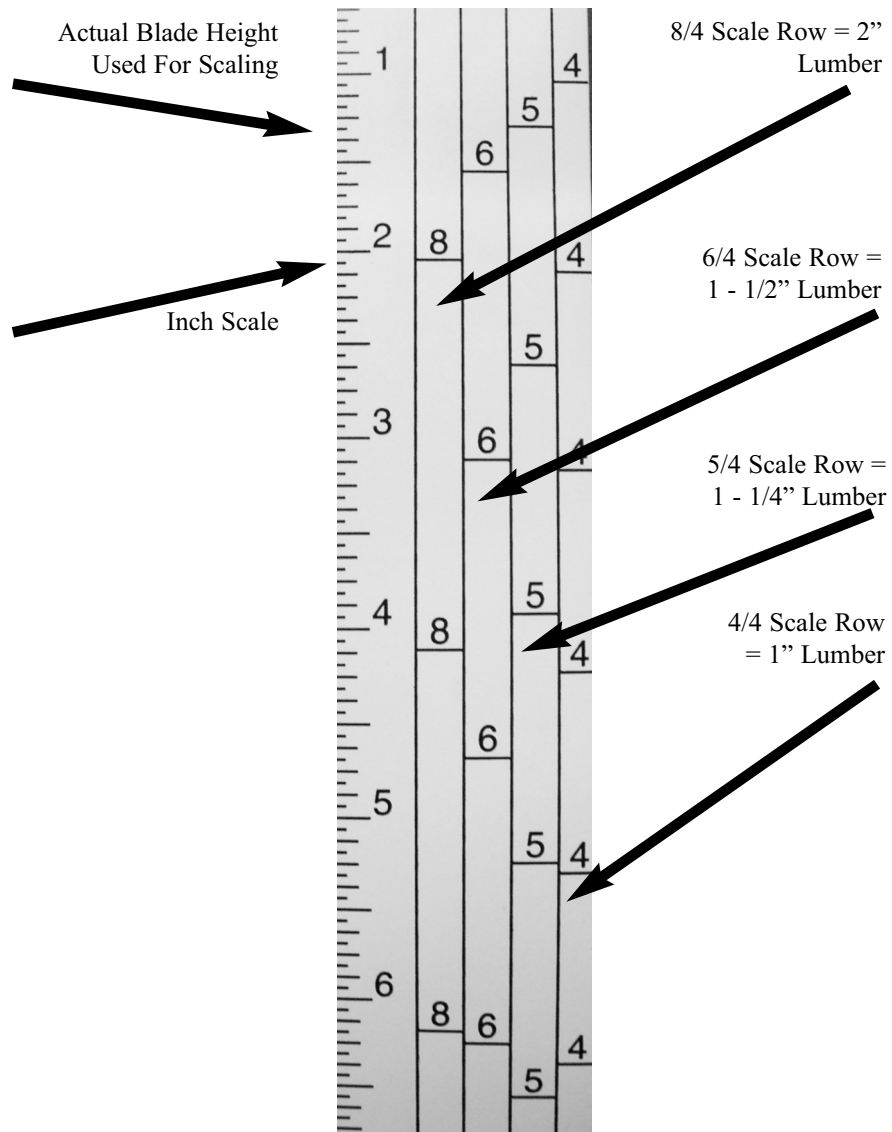
N. Using the Lumber Scale

a) All Hud-Son sawmills are equipped with a Lumber Scale. The scale is used to make the dimensioning process simple. The scale incorporates 4 separate scales with the blade

Scale	Resulting Thickness
4/4	1"
5/4	1 - 1/4"
6/4	1 - 1/2"
8/4	2"

Note:

The 1" standard ruler does NOT account for kerf. When using this scale be sure to plan on kerf. 1" increments will result in approximately a 7/8" end result, depending on what blade is being used.



Care and Maintenance

Hud-Son Saw Mills require a certain amount of care and maintenance, so that it may continue to perform at its best. If you are not confident in your ability to perform the maintenance that is required, please look into having a professional come in and perform the work for you.

Cleaning your Saw Mill

- ✓ Using an air hose, blow off all loose debris that builds around the unit.
- ✓ Use extreme caution when cleaning the mechanism.
- ✓ Never use flammable or combustible materials to clean the mill.
- ✓ Be in a well ventilated area. Always wear protective equipment to prevent injury.
- ✓ Use proper procedure to dispose of waste materials.
- ✓ Wipe down the idler and pulley wheels using an air hose, brush or rag.
- ✓ Clean and inspect blade guides.

Preventative Maintenance

- ✓ For electrical engine follow the correct Lockout/Tagout procedures.
- ✓ Check for correct blade tension guaranteeing that 30-35 pounds of torque is on tensioning bolt/nut.
- ✓ Check blade tracking, a 1 - 1/4" blade should be centered on band wheels and back of blade should be flush with band wheel.
- ✓ Check bearing, idler and pulley wheels for wear. Signs of wear are:
 - ✓ Excessive heat
 - ✓ Squeaking sounds
 - ✓ Looseness
- ✓ Grease idler, pulley wheels and bearings.
- ✓ Grease blade tensioner shaft.
- ✓ Grease the lift tubes.
- ✓ Check all belts for wear and to make sure the belt tension is "taut". Belt should have no more than 1/2" deflection.

MAINTENANCE SCHEDULE CHART
Service Recommendations for Hud-Son Sawmills

Service Item	Daily	40 Hours	See Manual
Check Engine Oil Level	✓		
Check/Clean Engine Air Filter			✓
Check Hydraulic Oil Level (fill 1" from top) if applicable	✓		
Clean Unit of Bark, Saw Dust, and other Debris	✓		
Lubricate Grease Fittings and Oil Points (see Diagram for locations)		✓	
Check Tire Pressure - Upon transport (if applicable)		✓	
Check Cylinders and Seals for Leakage	✓		
Check Feed Chains for tension (if applicable)	✓		
Clean Battery Connections		✓	
Check Wiring and Connections for Corrosion and Decay		✓	
Lubricate Chains (if applicable)		✓	
Check Blade Sharpness	✓		
Fuel - fill as needed	✓		
Blade Lubricant - fill as needed - <i>Refer to 2A on page 6</i>	✓		
Check hoses/gauges for damage, cracks, leakage (chaffing, dry rot, cracks, replace hoses if applicable)	✓		

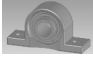

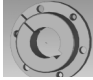
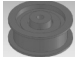
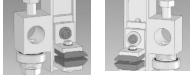



<p>* Change engine oil after 8 hours of operation on a new engine (break -in period)</p>	<p>CAUTION! <i>Maintenance Procedures requiring special training or tools should be performed by a trained technician.</i></p>
---	--

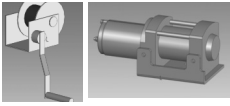
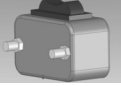

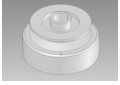
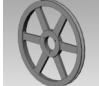
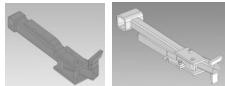
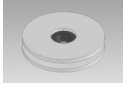

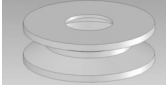



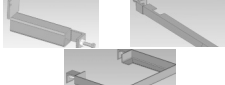
A routine inspection of the entire machine is encouraged. Check to see if all fittings are tight and secure. Make sure all nuts and bolts are tightened. Check to see any damage that may need to be repaired before and further damage occurs. Routinely checking the equipment and proper maintenance will help in keeping the Hud-Son Saw Mill running to the best of its ability.

Parts and Warranty


Mill Replacement Parts

Out sourced components will be warranted by the respective company for a period equal to the warranty in place at the time of shipping, as shown below from date of purchase.

	<i>Description</i>	<i>Part Number</i>	<i>Warranty</i>
	Gasoline Engine	6.5 HP, 8.0 HP, 16 HP, 18 HP, 21 HP, 23 HP, 31 HP	Up to 2 Years See Briggs & Stratton Manual
	Electric Engine	131549	1 Year - call Hud-Son and ask for warranty department.
	1.5" Pillow Block Bearing, 1" Pillow Block Bearing	UCP 208-24 UCP 205-16	6 Years
	Drive Belt	Oscar 121/328 - B77 , Oscar 230/236/FB/H360 - B85 , 52, B92	1 Year - Call your servicing Hud-Son Dealer.
	Rubber Wheel Belting	16" Wheel B49 , 19" Wheel - B56.5	1 Year Defect
	Urethane Wheel Belting	16" Wheel HF 49 , 19" Wheel - HF 56.5 - 25" Wheel - HF 77	1 Year Defect Not Melted
	1 Year Defect	Sk 1 - 1/2	1 Year
	Drive Belt Tensioner (Idler Pulley)	Oscar121/328 - Idler Pulley	1 Year
	Guide Assembly, Left/Right (see break- down for parts list)	976-001	30 Days Call your servicing Hud-Son Dealer.
	Scale Sticker	24" Scale Sticker Scale decal 36" & 48" Scale Sticker - Scale Decal 36 & 48	1 Year
	Site Glass Assembly	DH-1006	1 Year
	Cable Lift Kit Assembly	Oscar 121/328, Oscar 230/236, Oscar 52, Farm Boss/H360	1 Year
	Band Blade	Oscar 121/328 - WM 132 , (132"x.035x1- 1/4")Oscar 230 - WM 160 , (160"x.035x1-1/4") Oscar 236/FB/H360 - WM 167 , (167"x.042x1- 1/4")Farm Boss w/25" band wheels - WM 189 , (189"x.042x1-1/4") - Oscar 52 - WM 221 , (221"x.0542x1-1/2")	Breakage & Re-sharpening - Call Wood-Mizer, Inc. at 1-800-244-4600

<i>Part Picture</i>	<i>Description</i>	<i>Part Number</i>	<i>Warranty</i>
	Winch	Oscar 121/328/230 DBL800A - (hand crank) Oscar 236/52/FB/H360 - ATV2500 - (you will need your serial # for warranty)	1 Year - call your servicing Hud-Son Dealer.
	Winch Switch	C7755- 236/FB H2HG/H360 Oscar 52	1 Year - call your servicing Hud-Son Dealer.
	Winch Solenoid	C7700 - 236/FB H2HG/H360 Oscar 52	1 Year - call your servicing Hud-Son Dealer.
	Clutch	4075P007 - Oscar 121/328 Oscar 230/236/FB/H360 - 160021 - Oscar 52 180021 (double pulley)	30 Days- Call your servicing Hud-Son Dealer.
	Band Wheel	16" - 1B160DSK 19" - 1B184SK 25" - 1B250SK	1 Year - call your servicing Hud-Son Dealer.
	Log Dog Only	Log Dog (121/328)-976-027 Dog Only (230/236)-976-028	2 Years - call your servicing Hud-Son Dealer.
	Track Wheel w/Replacement Bearing	976-019 - Trolley	2 Years - call your servicing Hud-Son Dealer.
	Replacement Bearing for Track Wheel	6203-2RS	2 Years - call your servicing Hud-Son Dealer
	Pulley for Lift Cable	976-004 - Cable - Pulley	1 Year - call your servicing Hud-Son Dealer.
	Lift Cable	Cable	
	Cheater	O18-003 - Oscar 121 - Cheater O228 - 003 - Oscar 328 - Cheater	2 Years - call your servicing Hud-Son Dealer.
	Guide Pins	DH-1098 - Oscar121/328 Oscar 230/236/FB/H360 Oscar 52	2 Years - call your servicing Hud-Son Dealer.
	Low Handle Kit	Oscar 230/236 - DH 7009	2 Years - call your servicing Hud-Son Dealer.

Parts and Warranty

	Bolt for Track Wheel	976-026 - Trolley-Bolt	2 Years - call your servicing Hud-Son Dealer.
	Track Sections		1 Year - call your servicing Hud-Son Dealer.
	Axles (Trailer Models)		1 Year - call your servicing Hud-Son Dealer.
	Hydraulic Motors, Pumps, Valves, Hose & Fittings		1 Year - call your servicing Hud-Son Dealer.
	Sprockets & Chain		90 Days - Call Hud-Son and ask for the warranty department

Parts and Warranty

Warranty:

Warranty registration cards must be completed and returned to Hud-Son Forest Equipment, Inc. within 30 days of purchase. Failure to do will void the warranty!!

Warranty claims must be registered with the Dealer/Distributor, and defective parts must be returned to the Dealer/Distributor at the owner's expense. The Dealer/Distributor will assume cost of the shipping one way in regards to any warranty claim. Freight is standard UPS ground. Any expedited services are at an additional charge and will be paid in full before shipping at the owner's expense. The shipping of warranty/parts out of the continental USA, will not be covered under warranty. The labor charge out of the continental USA is also not covered under warranty.

All mills have a 2 year warranty against manufactures defects. Excluding the H360, and Oscar 52, they have a 1 year warranty.

Warranty Claim Procedure

All warranty claims that are done in the field will be handled as follows:

- 1 - Customer will call the Dealer/Distributor and acknowledge the problem.
- 2 - If the problem can be solved in the field, new parts will be shipped, invoiced and paid for. A credit will be given once the old parts are returned, if covered by warranty.
- 3 - If requested, parts to be replaced must be returned, at owner's expense within 30-days to receive credit.
- 4 - If the problem is deemed to severe to be fixed in the field by the customer, then the customer must bring the saw mill, at the owner's expense, to the closest Hud-Son Dealer/Distributor for repair. If the Dealer/Distributor is not qualified to make the repairs, then the equipment must be returned to Hud-Son Forest Equipment, Inc at the customer's expense.
- 5 - If the problem is deemed not to be a warranty problem, an invoice will follow for the

parts that were replaced, as well as an invoice for any time spent on the mill by Hud-Son Forest Equipment, Inc staff and/or Dealer/Distributor staff.

6 - Any modification to the band mill that is performed by any personnel other than Hud-Son Forest Equipment, Inc direct staff voids the warranty.

7 - Any parts that are replaced without the discretion of the Dealer/Distributor voids the warranty on the part the customer is replacing and no reimbursement will be made.

8 - Parts purchased by the customer from an outside source, without prior approval from Hud-Son Forest Equipment, Inc will NOT be reimbursed.

ALWAYS CALL YOUR SERVICING DEALER FIRST!!

Dealers/Distributors carry parts and are very knowledgeable with the inner workings of your sawmill. Remember that modifying your mill or using parts that are Not Hud-Son Forest Equipment Inc approved, can void your warranty.

CE Approved Models: European Mills

Warranty on Parts ONLY!! No warranty on labor or shipping.

Warranty/Service Information:

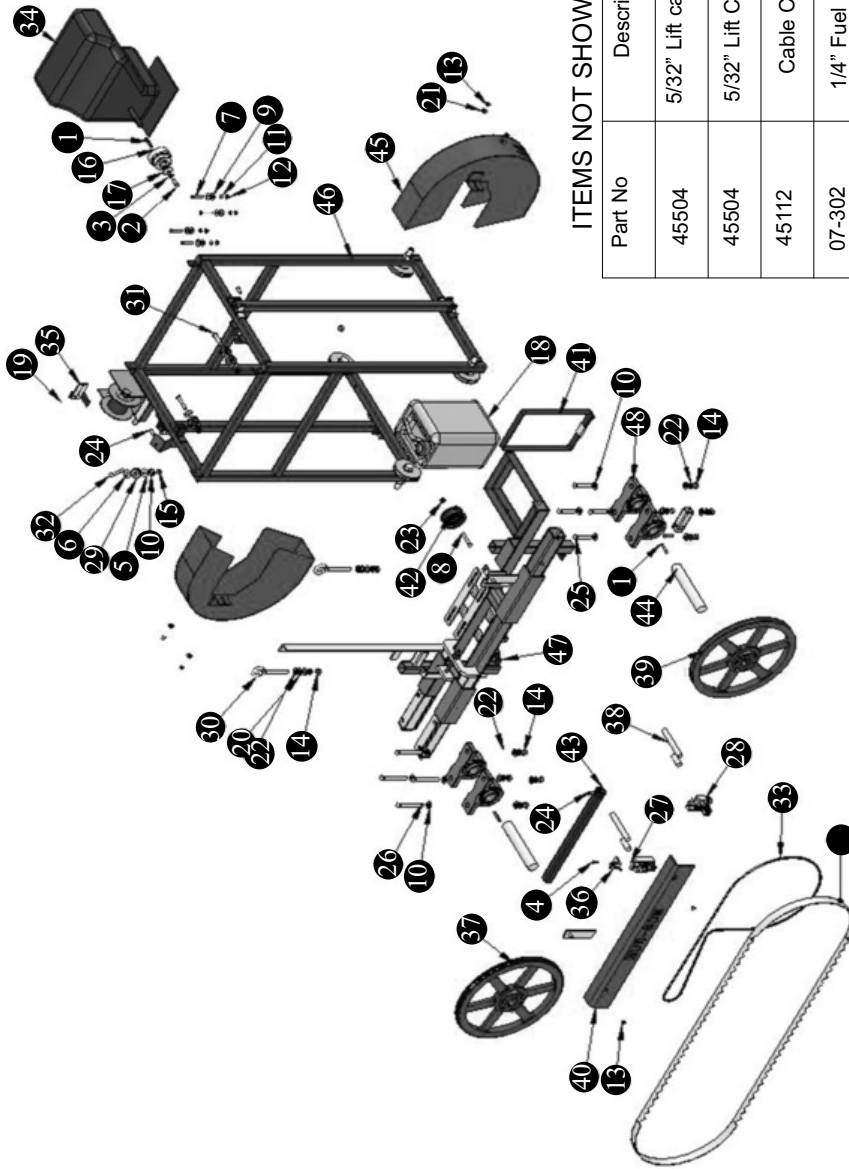
Please contact our warranty department with any issues or to reorder parts, at 315-896-4316 or 800-765-7297. Hours of operation are M-F 8:00 - 4:30 est.

**IF NOT IN THE CONTINENTAL USA - HUD-SON DOES NOT PAY
FREIGHT OR SHIPPING ON WARRANTY OR LABOR.**

Trouble Shooting

<i>Problem</i>	<i>Cause</i>	<i>Solution</i>
Blade is Diving/Rising	Dull Blade RPM's Not High Enough Blade Not Tensioned Properly Sawing Soft Pitch Wood (Pitch Build-Up in Blade Gullets) Guides Not Adjusted Properly	Sharpen or Replace Blade Saw at Full Throttle Check Torque on Tensioning Bolt (Perform "Flutter" Test) Use Lubricant on Blade PETROLEUM PRODUCTS, MINERAL OIL/VEGETABLE OIL SHOULD NOT BE USED ON OUR MILLS Adjust Guides Saw Tree from the Top to the Bottom (small end to wide end) Slow Down Reset Teeth to Proper Set
<i>Mill Sawing Hard</i>	RPM's Not High Enough on Engine Belt is Slipping Sawing Hardwood Dull Blade Bark or Sawdust Build-up on Wheels or Track Blade on Backwards	Always Saw at Full Throttle Adjust Belt Tension Slow Down your Sawing Speed Sharpen or Replace Blade Clean Wheels and Track Turn Blade Around
<i>Clutch Slipping</i>	Debris and/or Oil can cause slippage Pushing Too Hard	Clean out clutch bell Inspect/repair springs and shoes Push Lighter
<i>Engine Powers Down (Loosing RPM's)</i>	Pushing the Mill too Fast Dirty Air Filter Dull Blade	Slow Down your Sawing Speed Clean/Change Sharpen/Replace Blade
<i>Mill not Sawing Square</i>	Over Dogged Track Not Level & Square Cables are Out of Line Guides are Out of Adjustment Not Putting Flatside of Cant Flush with Squaring Post on the First Turn Bad Trolley Bearing	Loosen Dog Pressure Level Track Re-adjust Cables Re-Adjust Blade Guides Put Cant on Flatside, Flush with Squaring Post Replace Trolley Wheel
<i>Log Moves When Dogged</i>	Over Dogged, too Much Pressure on Dogs Under Dogged	Loosen Dog Pressure Tighten Dog Pressure
<i>New Blade Will Not Cut</i>	Blade Could Be Turned Inside Out	Turn the Blade So That the Teeth are Pointing to the Discharge Direction
<i>Boards have Fine or Large Lines in them Every Several Inches in a Repeating Pattern</i>	A Tooth in the Blade is Out of Set	Reset Tooth in Blade

Oscar 121 Mill Assembly



ITEMS NOT SHOW ON MODEL

Part No	Description	Qty
45504	5/32" Lift cable - 56"	1
45504	5/32" Lift Cable - 86"	1
45112	Cable Clamps	4
07-302	1/4" Fuel Line 56"	1
	Decals	

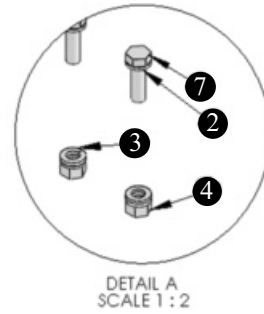
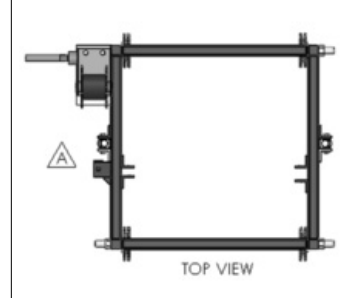
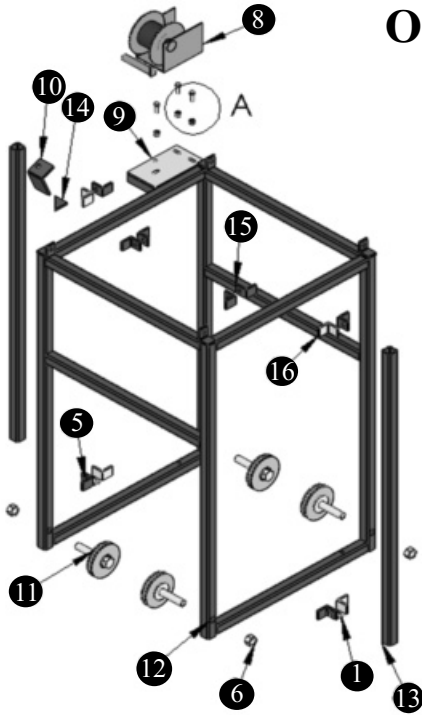
Oscar 121 Mill Parts List

Oscar 121

Item No.	Part No.	Description	Qty
1	10542-02299	KEYWAY 1/4" X 1/4" X 2"	3
2	17155	HCS 7/16 - 20 X 1 Z5	1
3	1133624	SPLIT L/W 5/16" Z	1
4	110120300	HCS 1/4 - 20 x 1/2 Z5	1
5	11343-00644	NY 1/2 X 1 1/4 X .062	7
6	12057	HCS 3/8 - 16 X 1 P5	5
7	13060	HCS 1/4 - 20 X 1 Z5	4
8	13112	HCS 3/8 - 16 X 2.25 Z5	1
9	33006	USS F/W 5/16 Z	14
10	33086	SAE F/W 1/2" Z	17
11	33620	L/W 5/16 Z	7
12	36303	FHN 5/16" - 18 P5	7
13	36305	FHN 3/8 - 16 P5	7
14	36310	FHN 1/2" - 13 Z5	11
15	37341	FLNG LK 3/8 - 16 Z	3
16	4075P007	CLUTCH PULLEY .75 1AB 2.50	1
17	410-803	HRUSH WASHER	1
18	75051	2.5 GALLON LUBE TANK	1
19	1132037	HWH 10 X 3/4" TEKS3 - SELF-TAP	1
20	1133012	USS 1/2 F/W Z	6
21	1133082	SAE 3/8 F/W Z	4
22	1133626	1/2" SPLIT L/W Z	10
23	1137024	NYLOCK 3/8 - 16 Z	1
24	110120344	HCS 3/8 - 16 X 1 Z5	5

25	110120384	HCS 1/2 - 13 X 2 1/2 Z5	4
26	110120390	HCS 1/2 - 13 X 4 Z5	4
27	976-001-L	GUIDE ASSEMBLY	1
28	976-001-R	GUIDE ASSEMBLY	1
29	976-004	CABLE PULLEY - 00158	4
30	976-006	EYE BOLT - L3	2
31	976-009	SHOULDER BOLT FOR 00158 PULLEY	1
32	976-010	SHOULDER BOLT - 3/8 X 2.5	2
33	B-77	V-BELT	1
34	BS-8 10HP	ENGINE	1
35	DH-1006	SITE GLASS ASSEMBLY	1
36	DH-1007	LUBE HOSE BRACKET	1
37	DH-1078	SHEAVE ASSEMBLY W/BELTING	1
38	DH-1098	GUIDE PIN ASSEMBLY	2
39	DH-1099	SHEAVE W/RED PAINT	1
40	DH-2523	18/228 CENTER GUARD "HUD-SON"	1
41	F1406	TANK STRAP	1
42	FA3002SB0002	3" FLAT BELT IDLER W/BUSHING	1
43	O18,O228--004-01	GUIDE SLIDE BAR	1
44	O18,O228-004-04	PILLOW BLOCK KEY SHAFT	2
45	O18,O228-006	18/228 GUARD ASSEMBLY	2
46	O18-001 OSCAR	121 CAGE ASSEMBLY	1
47	O18-002	OSCAR 121 HEAD ASSEMBLY	1
48	UCP208-24-Q	PILLOW BLOCK	4
49	WM132	132" BAND BLADE: 18/228	1

Oscar 121 Cage Assembly

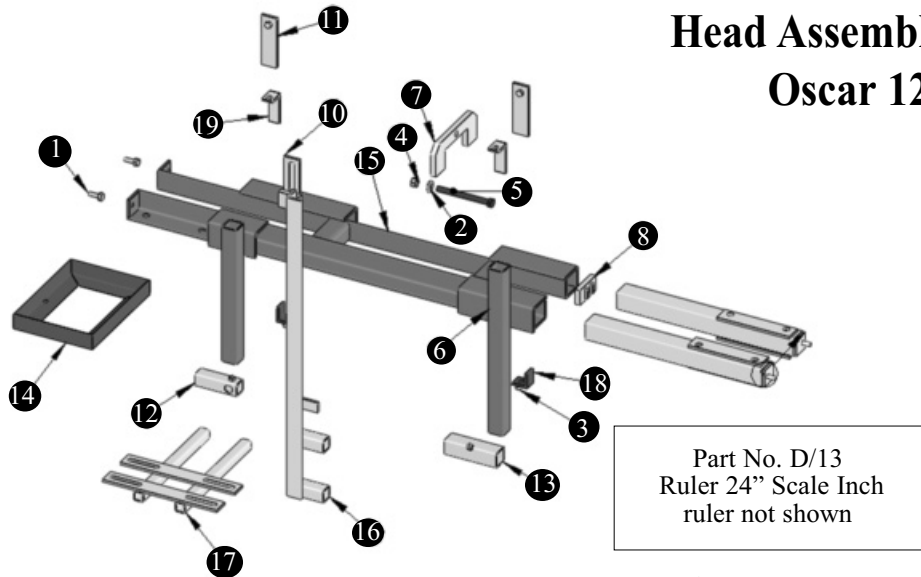


Oscar 121 Cage Parts List

O18-001

Item No.	Part No.	Description	Qty.
1	33078	SAE F/W 1/4 Z	2
2	1133006	F/W USS 5/16 Z	6
3	1133620	SPLIT 5/16 L/W Z	3
4	1136304	FHN 5/16 - 18 Z5	3
5	1136306	3/8 - 16 FHN Z5	4
6	1136316	3/4 - 10 FHN Z5	4
7	110120325	HCS 5/16 - 18 X 1 14 Z5	3
8	976-013	WINCH	1
9	DH-1064	MILLS - WINCH PLATE ASSEMBLY	1
10	DH-1065	PULLEY BRACKET ASSEMBLY	1
11	DH-1071	TRACK WHEEL ASSEMBLY	4
12	O18-001-00-1	OSCAR 121 CAGE WELDMENT	1
13	O18-001-04	OSCAR 18 LIFT TUBE	2
14	O18.O228-003-01	GUSSETT - 1 3/4" X 1/4" FLAT	1
15	SS-0012 1 1/2"	Angle Bracket w/Hole	12
16	SS-0013 1 1/2"	BRACKET NO HOLE	4

Head Assembly Oscar 121

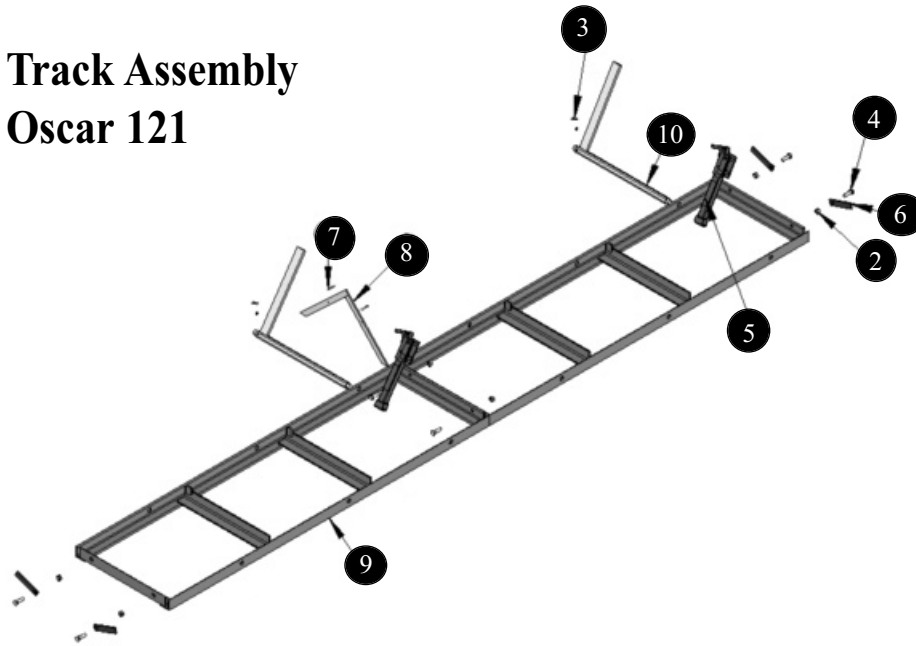


Head Parts List Oscar 121

O18-002

Item No.	Part No.	Description	Qty.
1	12105	HCS 3/8 - 16 X 1 P5	2
2	33086	SAE F/W 1/2" Z	1
3	36305	FHN 3/8 - 16 P5	2
4	36410	FHN 1/2" - 13 YZ8	1
5	11343-00204	TAP BOLT - GR 1/2 X 5	1
6	60108 Curt	ZERK 3/16" - GREASE FITTING	2
7	DH-2223	TENSION PLATE	1
8	DH-2223	TENSION BLOCK PLATE	1
9	O18,O228-002-00-2	SLIDE TUBE ASSEMBLY	2
10	O18,O228-002-00-4	BELT ADJUSTER BRACKET ASSY	1
11	O18,O228-002-00-5	GUARD BRACKET ASSEMBLY	2
12	O18,O228-002-00-7	SLIDE TUBE ASSY	1
13	O18,O228-002-00-8	LONG GUIDE POCKET	1
14	O18,O228-005-00-1	LUBE TANK BRACKET	1
15	O18-002-00-1	O121 HEAD SUB-ASSY	1
16	O18-002-00-3	SCALE STICK	1
17	O228-005	MOTOR BRACKET ASSEMBLY	1
18	SS-0012	1 1/2" Angle Bracket w/Hole	2
19	SS-0014	3" X 1 1/2" ANGLE BRACKET W/HOLE	2

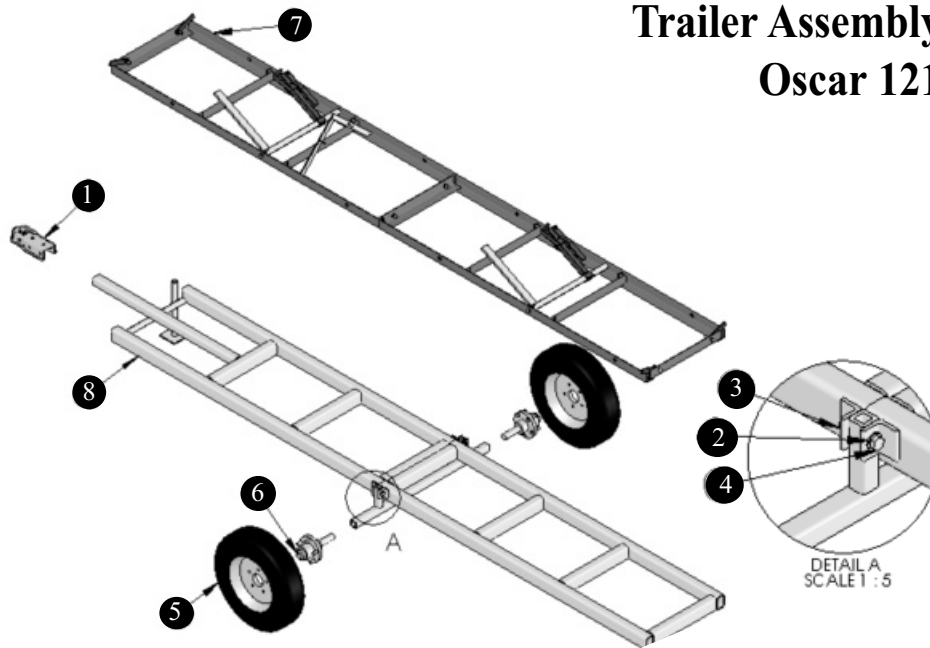
Track Assembly Oscar 121



Track Parts List Oscar 121 O18-005

Item No.	Part Number	Description	Qty.
1	1136302	FHN 1/2 - 20 Z5	2
2	1136310	FHN 1/2 - 13 Z5	6
3	110120304	HCS 1/4 - 20 X 1 Z5	2
4	110120380	HCS 1/2 - 13 X 1 1/2 Z5	6
5	976-027	SMALL LOG DOG	2
6	DH-0939	TRACK STOP BRACKET	4
7	DOUBLE HEADED NAIL	DOUBLE HEADED NAIL - 2 1/2"	4
8	O18-003	LOG SUPPORT	2
9	O18-005-00-1W	OSCAR 121 TRACK WELDMENT	2
10	O18-005-00-2	OSCAR 121 J-BAR WELDMENT	2

Trailer Assembly Oscar 121

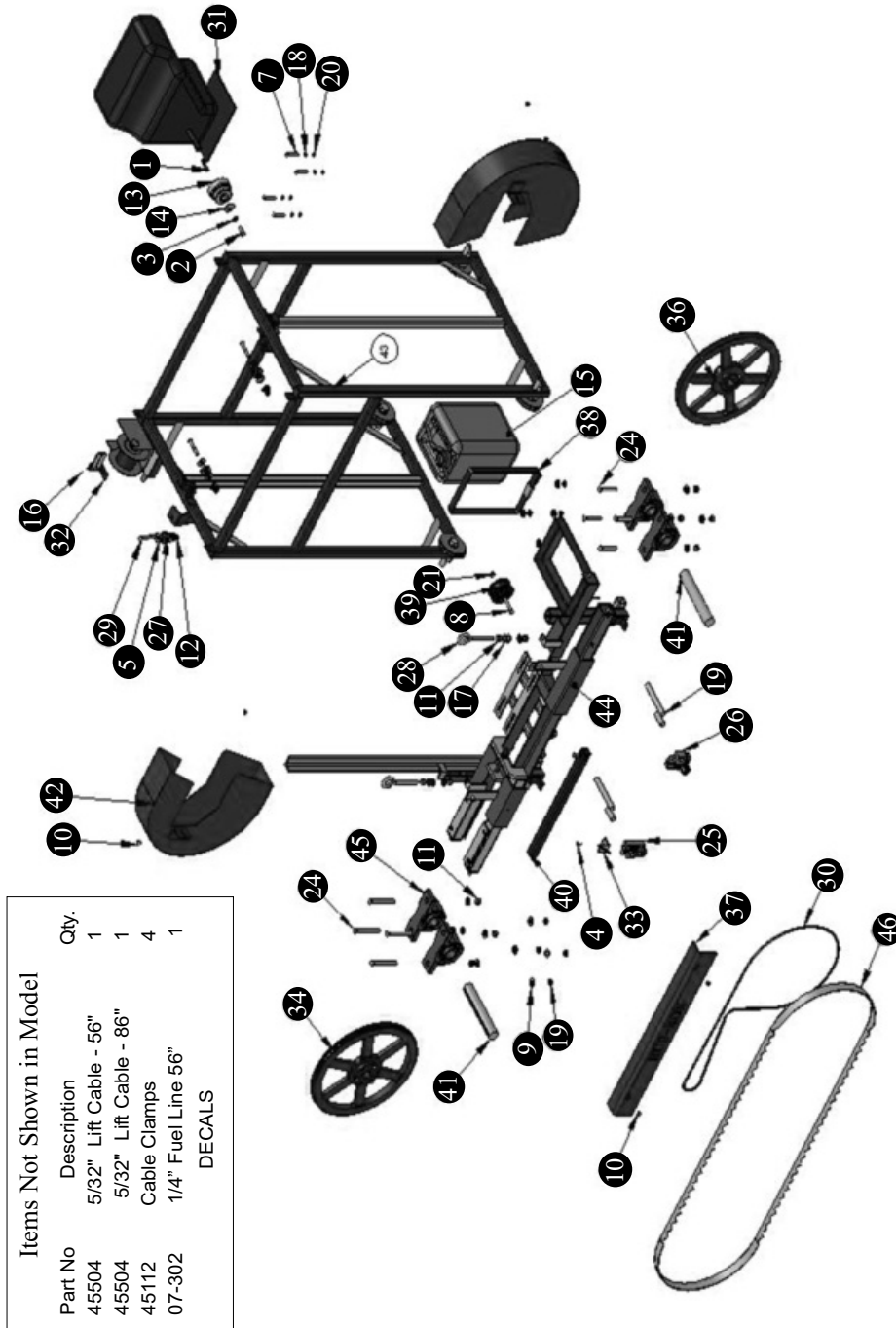


Trailer Parts List Oscar 121

O18-006

Item No.	Part No.	Description	Qty
1	0091060	COUPLER	1
2	1133012	USS 1/2 F/W Z	2
3	1136310	FHN 1/2 - 13 Z5	2
4	110120384	HCS 1/2 - 13 X 2 1/2 Z5	2
5	3S140	TRAILER TIRE	2
6	4-150-02-00	4 1/2" HUB	2
7	O18-005	OSCAR 121 TRACK ASSEMBLY	1
8	O18-006-00-1	OSCAR 121 TRAILER FRAME WELDMENT	1

Oscar 328 Mill Assembly



Items Not Shown in Model		
Part No	Description	Qty.
45504	5/32" Lift Cable - 56"	1
45504	5/32" Lift Cable - 86"	1
45112	Cable Clamps	4
07-302	1/4" Fuel Line 56"	1
	DECALS	

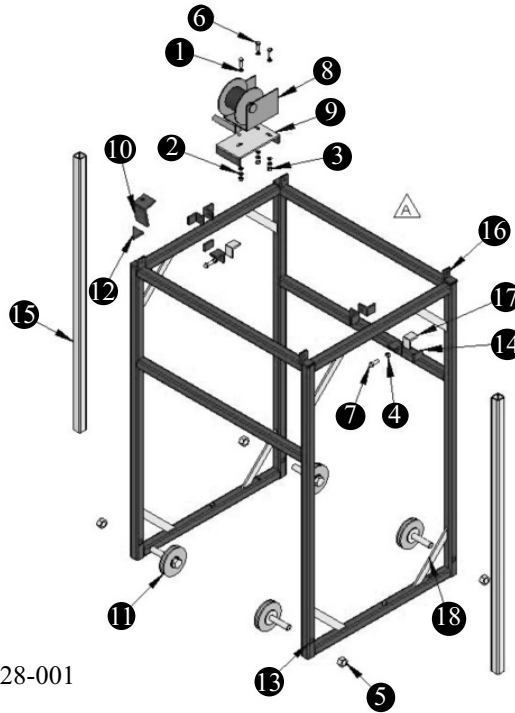
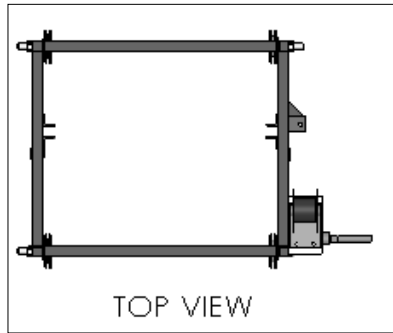
Trailer Parts List Oscar 328

OSCAR 328

Item No.	Part No.	Description	Qty.
1	10542-02299	KEYWAY 1/4" X 1/4" X 2"	1
2	17155	HCS 7/16 - 20 X 1 Z5	1
3	1133624	SPLIT L/W 5/16" Z	1
4	110120300	HCS 1/4 - 20 x 1/2 Z5	1
5	11343-00644	NY 1/2 X 1 1/4 X .062	6
6	12057	HCS 3/8 - 16 X 1 P5	2
7	13060	HCS 1/4 - 20 X 1 Z5	4
8	13112	HCS 3/8 - 16 X 2.25 Z5	1
9	33086	SAE F/W 1/2" Z	19
10	36305	FHN 3/8 - 16 P5	7
11	36310	FHN 1/2" - 13 Z5	12
12	37341	FLNG LK 3/8 - 16 Z	3
13	4075P007	CLUTCH PULLEY .75 1AB 2.50	1
14	410-803	THRUSH WASHER	1
15	75051	2.5 GALLON LUBE TANK	1
16	1132037	HWH 10 X 3/4" TEKS3 - SELF-TAP	1
17	1133012	USS 1/2 F/W Z	6
18	1133620	SPLIT 5/16 L/W Z	4
19	1133626	1/2" SPLIT L/W Z	8
20	1136304	FHN 5/16 - 18 Z5	4
21	1137024	NYLOCK 3/8 - 16 Z	1
22	110120344	HCS 3/8 - 16 X 1 Z5	1
23	110120384	HCS 1/2 - 13 X 2 1/2 Z5	4

Item No.	Part No.	Description	Qty.
24	110120384	HCS 1/2 - 13 X 4 Z5	4
25	976-001-L	GUIDE ASSEMBLY	1
26	976-001-R	GUIDE ASSEMBLY	1
27	976-004	CABLE PULLEY - 00158	3
28	976-006	EYE BOLT - L3	2
29	976-010	SHOULDER BOLT - 3/8 X 2.5	3
30	B-77	V-BELT	1
31	BS-8 10HP	ENGINE	1
32	DH-1006	SITE GLASS ASSEM- BLY	1
33	DH-1007	LUBE HOSE BRACKET	1
34	DH-1078	SHEAVE ASSEMBLY W/BELTING	1
35	DH-1098	GUIDE PIN ASSEMBLY	2
36	DH-1099	SHEAVE W/RED PAINT	1
37	DH-2523	18/228 CENTER GUARD "HUD-SON"	1
38	F1406	TANK STRAP	1
39	FA3002SB0002	3" FLAT BELT IDLER W/BUSHING	1
40	O18,O228--004-01	GUIDE SLIDE BAR	1
41	O18,O228-004-04	PILLOW BLOCK KEY SHAFT	2
42	O18,O228-006	18/228 GUARD ASSEM- BLY	2
43	O228-001	328 CAGE ASSEMBLY	1
44	O228-002	O328 HEAD ASSEMBLY	1
45	UCP208-24-Q	PILLOW BLOCK	4
46	WM132	132" BAND BLADE: 18/228	1

Oscar 328 Cage Assembly

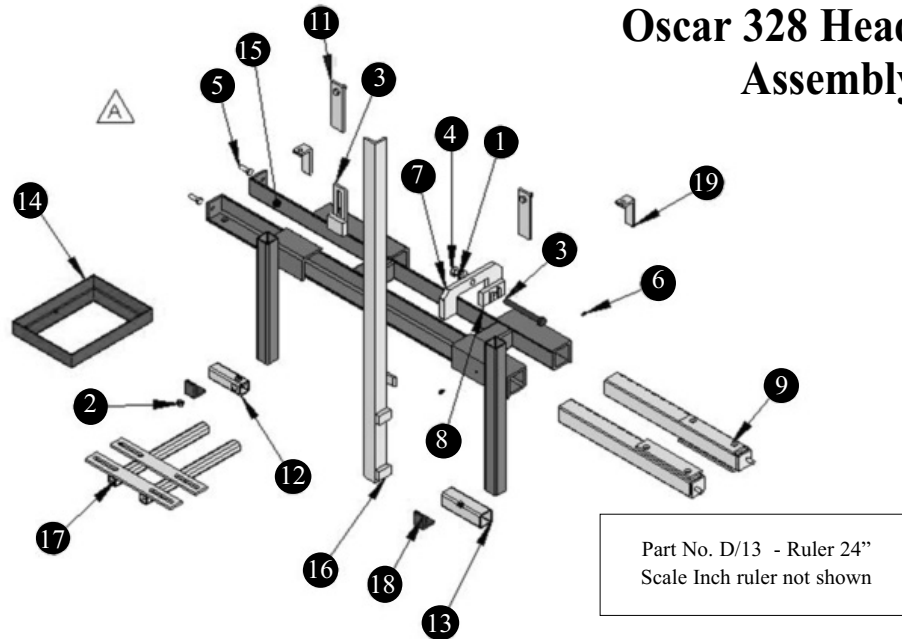


Cage Parts List Oscar 328

O228-001

Item No	Part No	Description	Qty
1	1133006	F/W USS 5/16 Z	6
2	1133620	SPLIT 5/16 L/W Z	3
3	1136304	FHN 5/16 - 18 Z5	3
4	1136306	3/8 - 16 FHN Z5	4
5	1136316	3/4 - 10 FHN Z5	4
6	110120325	HCS 5/16 - 18 X 1 14 Z5	3
7	110120344	HCS 3/8 - 16 X 1 Z5	2
8	976-013	WINCH	1
9	DH-1064	MILLS - WINCH PLATE ASSEMBLY	1
10	DH-1065	PULLEY BRACKET ASSEMBLY	1
11	DH-1071	TRACK WHEEL ASSEMBLY	4
12	O18.O228-003-01	GUSSETT - 1 3/4" X 1/4" FLAT	1
13	O228-001-00-1	OSCAR 328 FRAME WELDMENT	1
14	O228-001-04	LIFT TUBE STOP	2
15	O228-001-05	LIFT TUBE	2
16	SS-0012	1 1/2" Angle Bracket w/Hole	10
17	SS-0013	1 1/2" BRACKET NO HOLE	2
18	SS-00A1	8 3/8" BRACE	8

Oscar 328 Head Assembly



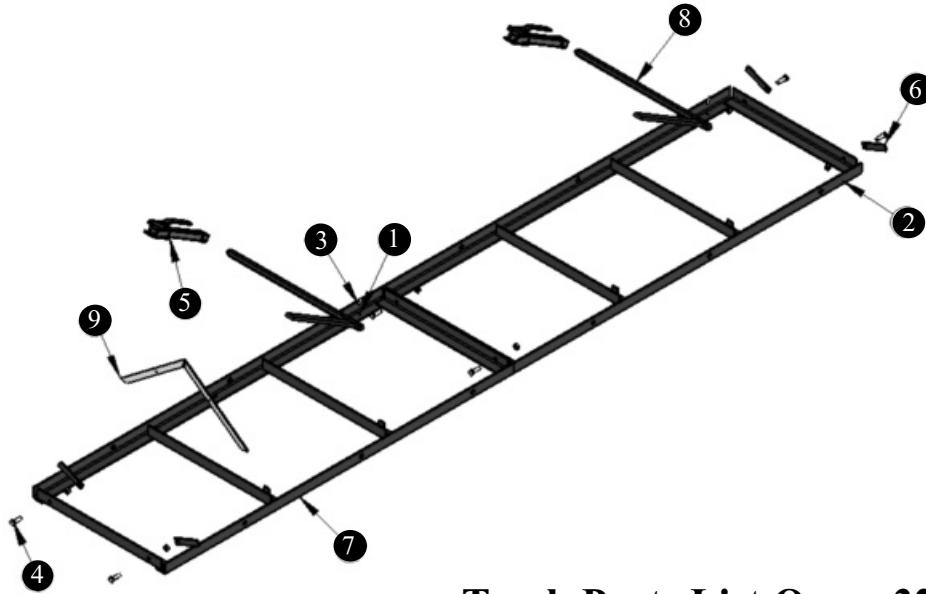
Part No. D/13 - Ruler 24"
Scale Inch ruler not shown

Head Parts List Oscar 328

O228-002

Item No	Part No	Description	Qty
1	33086	SAE F/W 1/2" Z	1
2	36305	FHN 3/8 - 16 P5	2
3	144583	TAP BOLT - GR 1/2 - 13 X 4.5"	1
4	1136310	FHN 1/2 - 13 Z5	1
5	110120344	HCS 3/8 - 16 X 1 Z5	2
6	60108 Curt	ZERK 3/16" - GREASE FITTING	2
7	DH-2223	TENSION PLATE	1
8	O18,O228-002-00-6	TENSION BLOCK PLATE	1
9	O18,O228-002-00-2	SLIDE TUBE ASSEMBLY	2
10	O18,O228-002-00-4	BELT ADJUSTER BRACKET ASSY	1
11	O18,O228-002-00-5	GUARD BRACKET ASSEMBLY	2
12	O18,O228-002-00-7	SLIDE TUBE ASSY	1
13	O18,O228-002-00-8	LONG GUIDE POCKET	1
14	O18,O228-005-00-1	LUBE TANK BRACKET	1
15	O228-002-00-1	O328 HEAD SUB-ASSY	1
16	O228-002-00-5	O228 SCALE STICK ASSEMBLY	1
17	O228-005	MOTOR BRACKET ASSEMBLY	1
18	SS-0012	1 1/2" Angle Bracket w/Hole	2
19	SS-0014	3" X 1 1/2" ANGLE BRACKET W/HOLE	2

Track Assembly Oscar 328

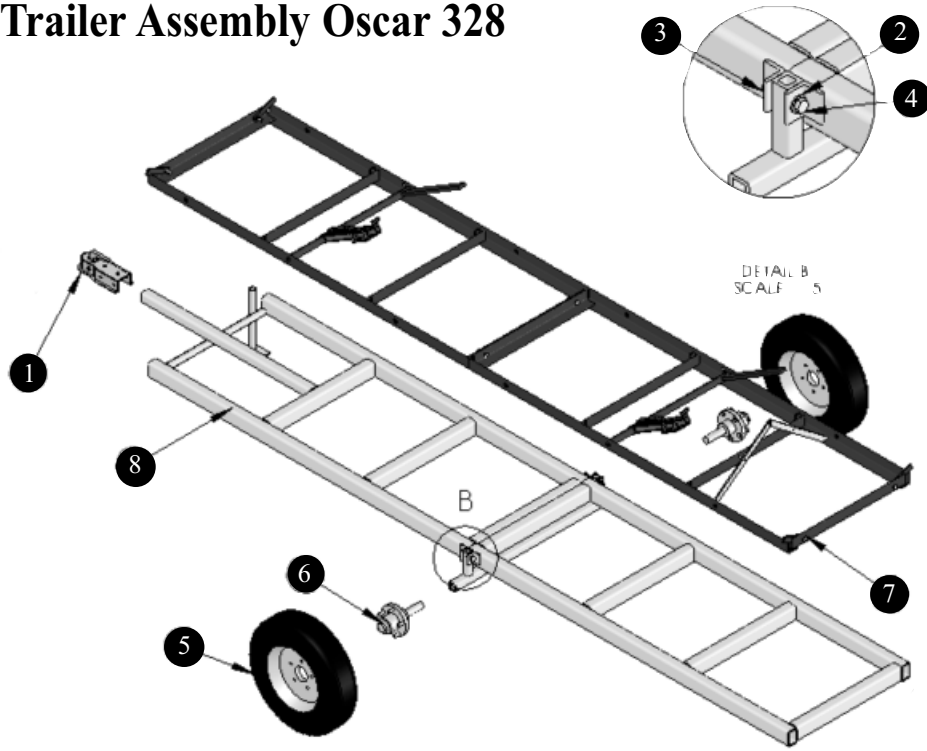


O228-003A

Track Parts List Oscar 328

Item No.	Part No.	Description	Qty.
1	1136302	FHN 1/4 - 20 Z5	2
2	1136310	FHN 1/2 - 13 Z5	6
3	110120304	HCS 1/4 - 20 X 1 Z5	2
4	110120380	HCS 1/2 - 13 X 1 1/2 Z5	6
5	976-027	SMALL LOG DOG	2
6	DH-0939	TRACK STOP BRACKET	4
7	O228-003-00-1	O228 TRACK WELDMENT	2
8	O228-003-00-2	J-BAR	2
9	O228-003-00-3	LOG SUPPORT	2
10	Not applicable	Nails (Not Shown)	4

Trailer Assembly Oscar 328



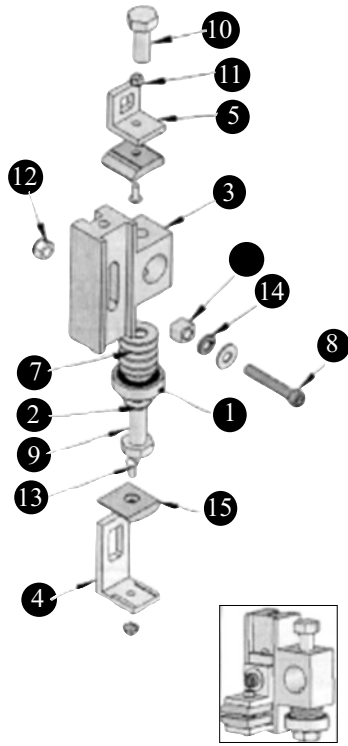
Trailer Parts List Oscar 328

O228-004

Item No.	Part No.	Description	Qty
1	0091060- Coupler	COUPLER	1
2	1133012	USS 1/2 F/W Z	2
3	1136310	FHN 1/2 - 13 Z5	2
4	110120384	HCS 1/2 - 13 X 2 1/2 Z5	2
5	3S140	TRAILER TIRE	2
6	4-150-02-00	4 1/2" HUB	2
7	O228-003 A	TRACK ASSEMBLY	1
8	O228-004-00-1	OSCAR 328 TRAILER FRAME WELDMENT	1

Guide Assembly Parts List

976-001-R

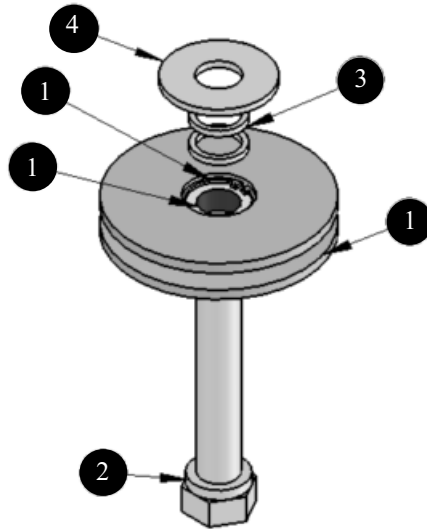


Item No.	Part No.	Description	Qty.
1	6200-2RS	6200-2RS BEARING	1
2	976-001-SW	SMALL WASHER	2
3	976-001-01	GUIDE MAIN BODY	1
4	976-001-02	GUIDE BRACKET	1
5	976-001-03	SHORT GUIDE BRACKET	1
6	976-001-04	O18-001-04	1
7	976-001-06	GUIDE WASHER	5
8	976-001-AB	GUIDE - ALAN BOLT	1
9	976-001-B	GUIDE BOLT	1
10	976-001-BOLT-1	BOLT	1
11	976-001-LN	GUIDE - LOCK WASHER	2
12	976-001-RB	GUIDE -LOCK WASHER	1
13	976-001-SCREW	GUIDE -SCREW	2
14	976-001-SPW	GUIDE - SPLIT WASHER	1
15	CP20-10A	O18-0001-05	2

Track Wheel Assembly Parts List

DH-1071

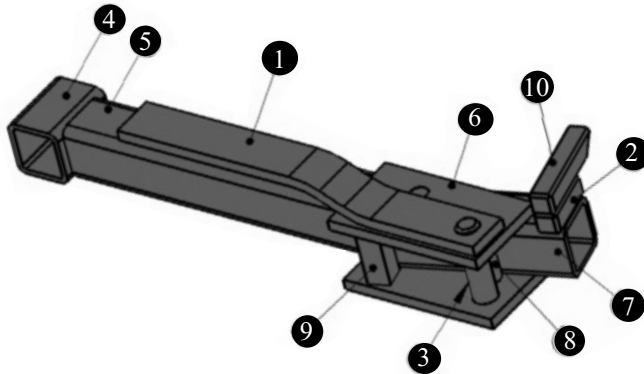
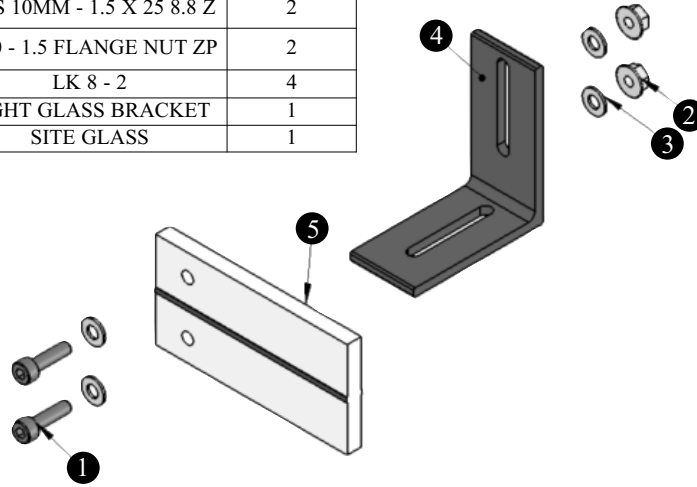
Item No.	Part No.	Description	Qty.
1	976-019	TW3 TRACK WHEEL	1
2	976-026	SHOULDER BOLT	1
3	11343-00592	F/W 3/4 X 1 X 1/8 Z	2
4	1133092	SAE F/W 3/4" Z	1
5	1168060	C-CLIP	1
6	6203-2RS	BEARING - 3/4" ID	1



Site Glass Assembly Parts List

DH-1006

Item No.	Part No.	Description	Qty.
1	38655	HCS 10MM - 1.5 X 25 8.8 Z	2
2	90702	M10 - 1.5 FLANGE NUT ZP	2
3	1137406	LK 8 - 2	4
4	SS-0029	SIGHT GLASS BRACKET	1
5	UG-001	SITE GLASS	1



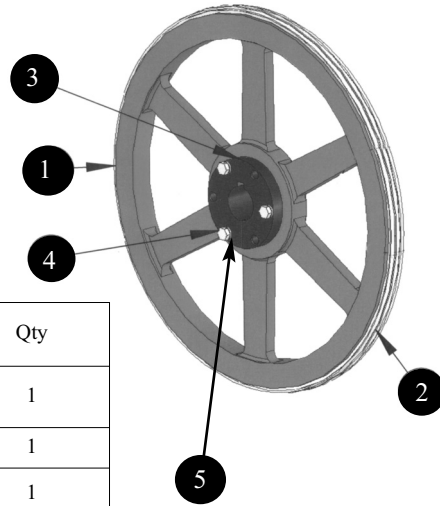
Small Dog

Small Log Dog Parts List

976-027

Item No.	Part No.	Description	Qty
1	976-027-1	HANDLE	1
2	976-027-10	GRAB SPACER	1
3	976-027-2	PIVOT ROD	1
4	976-027-3	REAR POCKET	1
5	976-027-4	MAIN SUPPORT	1
6	976-027-5	PLATE	2
7	976-027-6	FRONT POST	1
8	976-027-7	ROCKER PIN	1
9	976-027-8	SPACER	1
10	976-027-9	GRAB	1

Sheave Assembly Parts List w/Belting for Oscar 121 & 328 DH-1078



Item No	Part No	Description	Qty
1	1B160SK	16" Sheave w/Red Paint	1
2	4999410	Belting Crown Top	1
3	SKS 1.5	Q Bushing for Sheaves	1
4	SKS 1.5-B	Bolt	3
5	Not Applicable	Lock Washer	1

Clutch Breakdown Parts List for Oscar 121 & 328



Item No	Part No	Description	Qty
1	11061199	DRUMS	1
2	J-1416 ALT # 03000015	BEARING	1
3	11301005	HUB	1
4	02400066	WASHER	1
5	01900004	SNAP RING	1
6	01200153	SHOE	2
7	0100012	SPRING	2

800.765.SAWS • WWW.HUD-SON.COM

Thank you for choosing



8201 State Rt. 12, PO Box 345 Barneveld, NY 13304

Fax: 315.896.2627 • e-mail: info@hud-son.com

We have an onsite technician available to answer any questions

Monday - Friday 8 to 4:30 and Saturday from 8 to noon. 315-896-7297.

800.765.SAWS • WWW.HUD-SON.COM