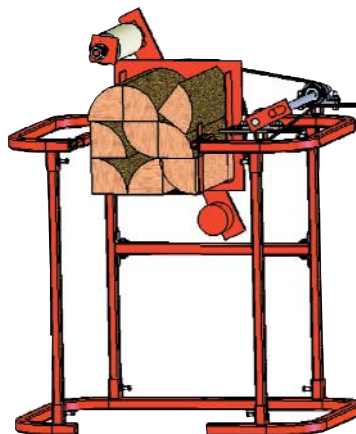




Firewood Bundler

Operation Instructions & Parts Manual

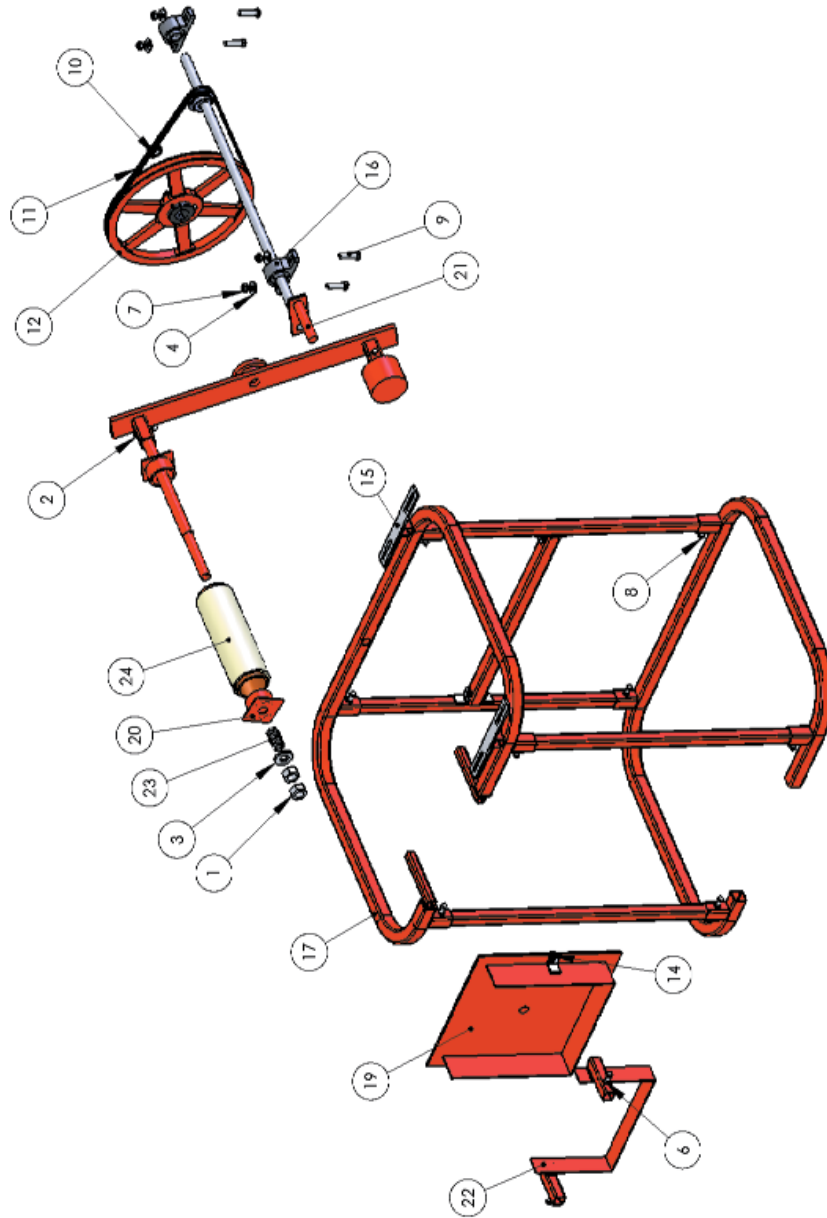
Made in USA



Manufactured in Barneveld, New York

Marketed by

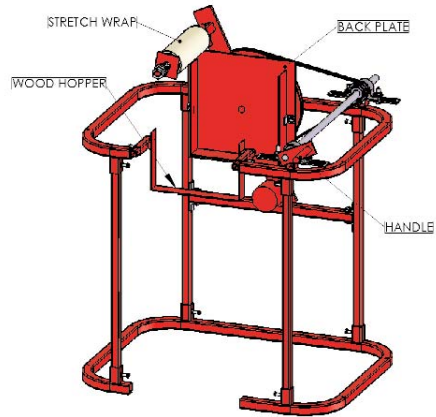
HUD-SON FOREST EQUIPMENT
STATE ROUTE 12 BARNEVELD, NY
1-800-765-7297
WWW.HUD-SON.COM



1.800.765.7297 • WWW.HUD-SON.COM

Item #	Part #	Description	Qty.
1	10542-02285	COUPLER NY - 1" ID	2
2	13112	HCS 3/8 - 16 X 2.25 Z5	2
3	33022	USS F/W 1" Z	1
4	1133012	USS 1/2 F/W Z	4
5	1133082	3/8 - 16 FHN Z5	2
6	1136306	FHN 1/2 - 13 Z5	15
7	1136310	HCS 3/8 - 16 X 1 Z5	4
8	110120344	HCS 3/8 - 16 X 2 1/2 Z5	11
9	110120350	HCS 1/2 - 13 X 2 Z5	2
10	110120382	12" STRETCH WRAP, 2000', 60GA	4
11	660025-131451	1" SHAFT COLLAR	1
12	A-100	V-BELT	3
13	B67-M	SHEAVE W/RED PAINT	1
14	DH-1099	SHEAVE: 30 X 1	1
15	MB30X1	1 1/2" Angle Bracket w/Hole	1
16	SS-0012	MOUNT BRACKET	6
17	SS-0033	PILLOW BLOCK	2
18	UCP205-16-Q	WRAPPER FRAME ASSEMBLY	2
19	WM-001	WRAPPER BAR SUB-ASSEMBLY	1
20	WM-002	WRAPPER SQUARE BACK PLATE ASSY	1
21	WM-003A	WRAPPER SQUARE BACK PLATE ASSY	1
22	WM-004	WRAPPER TUBE HOLDERS	2
23	WM-005	HANDLE/SHAFT ROD SUB-ASSEMBLY	1
24	WM-006A	SQUARE STACKER	1
25	WM-007	WRAPPER WHEEL ASSEMBLY	2
26	WM-007-01	WHEEL STOP	2
27	WM-008	WRAPPER HANDLE ASSEMBLY	2
28	WRAPPER	SPRING WRAPPER TENSION SPRING	1

1.800.765.7297 • WWW.HUD-SON.COM

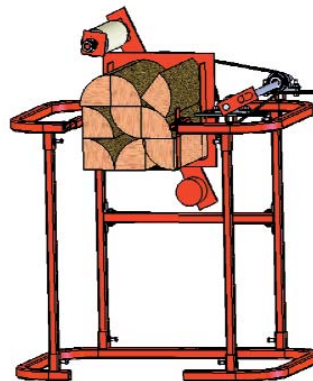
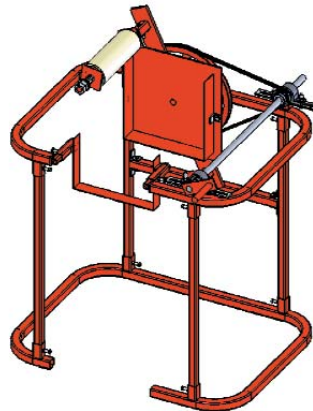


The Hud-son Firewood Bundler is a fast & easy way to wrap firewood..

The bundler can handle wood 14-24" in length & the bundles are 12" square depending on personal preference.

INSTRUCTIONS FOR USE OF BUNDLER

- 1- Cut & split wood. Wood should be 14-24" in length.
- 2 - Stack wood into hopper. Wood should set securely in hopper & against back plate. The amount of wood that is stacked into the hopper is up to the individual.
- 3 - Once the stacker is set, pull the wrap around the wood & tuck it under a piece of wood to hold it in place.
- 4 - Use the handle to pull the stretch wrap around the bundler. Only 4 or 5 rotations are needed to secure the bundle.
- 5 - Use the knife to cut the wrap. Lift the bundle out of the hopper.
- 6 - Wood is now ready to sell.



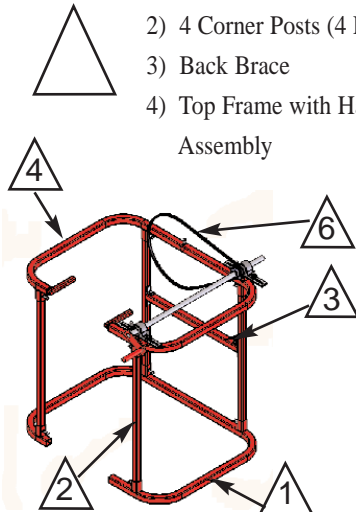
WARRANTY - 2 YEARS

IF SHIPPED UNASSEMBLED -VERY LITTLE ASSEMBLY IS REQUIRED.

ALWAYS USE CAUTION WHEN OPERATING ANY PIECE OF MACHINERY

If you receive your unit unassembled, your unit will be in 10 separate pieces.

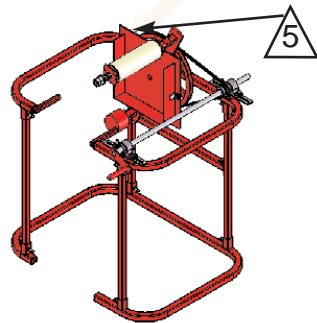
- | | |
|---|--|
| 1) Bottom Frame with Corner Pockets | 5) Back Plate With Stretch Wrap Assembly |
| 2) 4 Corner Posts (4 Pieces) | 6) Pulley Belt |
| 3) Back Brace | 7) Front Stacker Assembly |
| 4) Top Frame with Handle Frame Assembly | |



FRAME ASSEMBLY

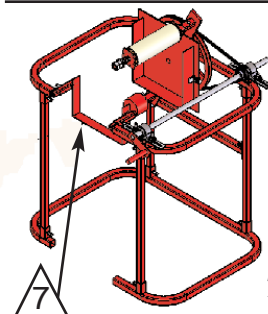
- 1) Place bottom frame onto level ground
- 2) Place corner posts into bottom frame pockets
- 3) Place top frame assembly, using the pockets, onto the corner posts.
- 4) Place back brace into brackets and secure bolts.

Tighten down all bolts, frame is assembled.



BACK PLATE ASSEMBLY

- 5) Place assembly rod into hole in the rear
- 6) Loosen the rear pillow block so that you will be able to wrap the belt around the sheave. Once on the sheave be sure the belt is tight and re-secure the pillow block.



STACKER ASSEMBLY

- 7) Place stacker onto frame arms. Secure bolts once in the desired location.

UNIT IS FULLY ASSEMBLED AND READY TO WRAP YOUR WOOD!

Thank you for choosing Hud-Son Forest Equipment for all of your forestry needs.