

---

# HUD-SON

Log Skidding Arch

1-800-765-7297

[www.hud-son.com](http://www.hud-son.com)

Made in USA

## INSTALLATION AND PARTS MANUAL

Manufactured in Barneveld, New York

Marketed by

**HUD-SON FOREST EQUIPMENT**

STE. RT 12 BARNEVELD, NY

1-800-765-7297

[WWW.HUD-SON.COM](http://WWW.HUD-SON.COM)

---

# CONGRATULATIONS!

You have wisely selected the HUD-SON Log Skidding Arch that is Capturing the Market With Unmatched Quality & Value. Always use caution and do not overload the capacity of the tow vehicle. When on an incline always go straight up and straight down *not side to side.*

Using the arch makes a tractor or ATV an even more useful tool. By backing up to or by straddling the log the log can be pulled up or suspended by using the winch to pull in or raise. Never tow or cable, use the chain supplied to hold log while dragging.

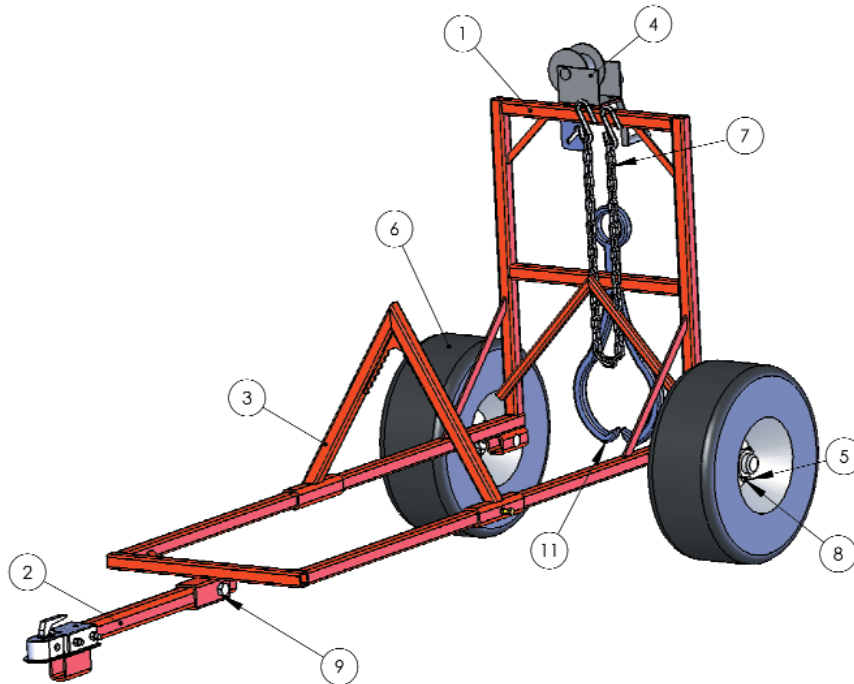
On the adjustable model there is a  shaped holder to keep the log in place while moving forward or back to compensate for log length.

*Very minimum assembly required.*

ITEM #	PART #	DESCRIPTION	QTY.
1	ATV-AA-001	ATV-ARCH-A-FRAME	1
2	ATV-AA-002	Tongue ASSEMBLY	1
3	ATV-AA-003	ADJUSTABLE ARCH ASSEMBLY	1
4	DBL800A	WINCH	1
5	4-150-02-00	4 1/2" HUB	2
6	3H350	LOAD START TIRE - 205/65-10	2
7	JDHNY-2	5/16"X48" GRADE 30 CHAIN W/2-J-62	1
8	tire lug nut	HUB LUG NUT-PURCHASED W/HUB	10
9	13365	HCS 3/4-10X3Z5	1
10	1136316	FHN 3/4-10Z5	1
11	PV685-16	LOG TONG-16"	1

## ITEMS NOT SHOWN ON MODEL

ITEM #	PART #	DESCRIPTION	QTY.
N/A	45504	5/32" CABLE	4 ft.
N/A	43401	CABLE CLAMP	2



Use the winch and log tong to lift so that you can wrap the chain around the log. Once chain is secure around log - lower the winch so all the weight of the log is on the chain.

Front of log rises first. Load log into front center when lifting the winch. The rest of the log rises off ground.

Do NOT drag log. Load with CAUTION.

Weight Capacity - 800 lb. max.

Use chain as main support not log tong.

Minimal assembly required.

1.800.765.7297 • WWW.HUD-SON.COM

*ALWAYS USE CAUTION  
WHEN OPERATING ANY PIECE OF MACHINERY*

Thank you for choosing Hud-Son Forest Equipment  
for all of your forestry needs

1.800.765.7297 • WWW.HUD-SON.COM